

AZ7621P

MINIATURE LATCHING POWER RELAY

FEATURES

- 16 A switching capability
- SPST-N.O. (1 Form A) and SPDT (1 Form C) contact arrangements
- Single coil latching and dual coil latching versions
- High Dielectric strength 5 kV_{RMS}
- Compact size, low height 15.7 mm
- Epoxy sealed versions available
- Gold plated versions optional
- RoHS compliant
- UL, CUR file E43203



CONTACTS

Arrangement	SPST-N.O. (1 Form A) SPDT (1 Form C)
Ratings (max.) switched power switched current switched voltage	(resistive load) 4000 VA 16 A 440 VAC
	Note: If switching voltage is greater than 30 VDC, special precautions must be taken. Please contact the factory.
Rated Loads UL, CUR	16 A at 250 VAC, resistive, 50k cycles, 85°C
Contact materials	AgSnO ₂ - silver tin oxide gold plating available
Minimum switching non gold plated gold plated	100 mA / 6 V 50 mA / 6 V
Initial resistance	< 50 mΩ

COIL

Nominal coil DC voltages	see coil voltage specifications tables
Power at pickup voltage single coil latching dual coil latching	(typ.) 196 mW 294 mW (24 VDC coil: 318 mW)
Max. temperature	105°C (221°F)

NOTES

1. All values at 20°C (68°F).
2. Relay may pull in with less than "Must Operate" value.
3. Relay has fixed coil polarity.
4. Initial state of contacts may be changed during transportation or shock.
5. Pulse width should be minimum three times the specified set/reset time.
6. Do not power set and reset coil simultaneously (dual coil versions).
7. Relay adjustment may be affected if undue pressure is exerted on relay case.
8. Specifications subject to change without notice.

GENERAL DATA

Life Expectancy mechanical electrical	(minimum operations) 5 x 10 ⁶ 5 x 10 ⁴ at 16 A 250 VDC resistive
Set Time Reset Time	10 ms (max.) at nominal coil voltage 10 ms (max.) at nominal coil voltage
Dielectric Strength coil to contacts between open contacts	(at sea level for 1 min.) 5 kV _{RMS} 1 kV _{RMS}
Isolation spacing creepage	≥ 8.4 mm
Insulation Resistance	1000 MΩ (min.) at 20°C, 500 VDC, 50% RH
Temperature Range operating	(at nominal coil voltage) -40°C (-40°F) to 85°C (185°F)
Vibration resistance operating	1.5 mm (0.138") DA at 10–55 Hz
Shock operating	10 g
Terminals	Tinned copper alloy, P. C.
Soldering max. temperature max. time	260°C (500°F) 5 seconds
Cleaning max. solvent temp. max. immersion time	80°C (176°F) 30 seconds
Dimensions length width height	29.0 mm (1.14") 12.7 mm (0.50") 15.7 mm (0.62")
Weight	13 grams

ZETTLER electronics GmbH - A ZETTLER GROUP Company

Junkersstr. 3, D-82178 Puchheim, Germany

phone: +49 89 800 97-0
fax: +49 89 800 97-200

office@ZETTLERelectronics.com
www.ZETTLERelectronics.com

This product specification to be used only together with the application notes which can be downloaded from www.ZETTLERelectronics.com/pdfs/relais/ApplicationNotes.pdf

AZ7621P

COIL VOLTAGE SPECIFICATIONS

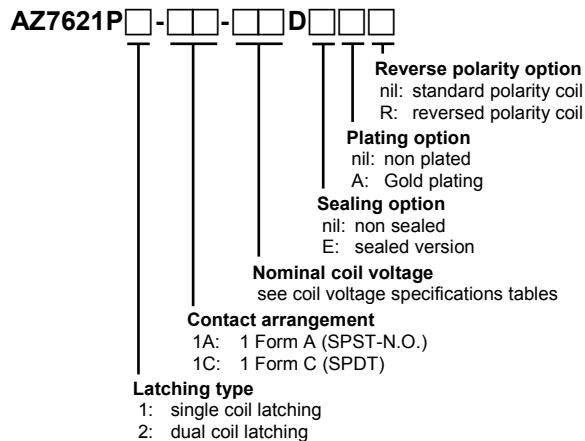
Single coil latching

Nominal Coil VDC	Must Operate VDC	Coil Power mW	Resistance Ohm $\pm 10\%$
3	2.1	400	23
5	3.5		63
6	4.2		90
9	6.3		203
12	8.4		360
24	16.8		1440

Dual coil latching

Nominal Coil VDC	Must Operate VDC	Coil Power mW	Resistance Ohm $\pm 10\%$
3	2.1	600	15
5	3.5		42
6	4.2		60
9	6.3		135
12	8.4		240
24	16.8		886

ORDERING DATA

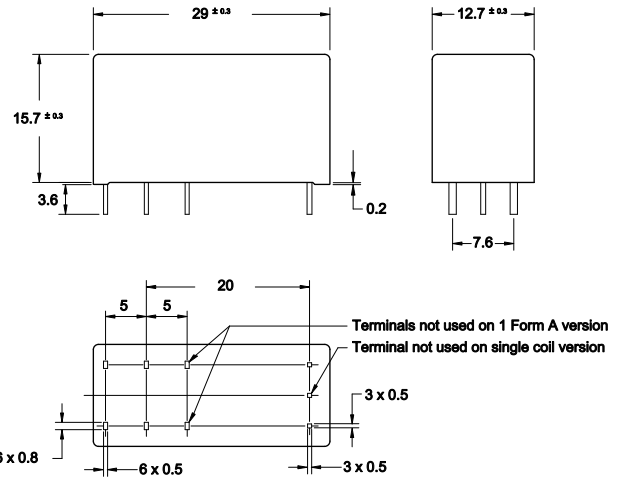


Example ordering data

AZ7621P1-1A-12D	Single coil latching, 1 Form A contact arrangement, 12 VDC nominal coil voltage, non sealed, non gold plated, standard coil polarity
AZ7621P2-1C-5DEA	Dual coil latching, 1 Form C contact arrangement, 5 VDC nominal coil voltage, sealed, gold plated, standard coil polarity
AZ7621P2-1A-9DR	Dual coil latching, 1 Form A, 9 VDC nominal coil voltage, non sealed, non gold plated, reversed coil polarity

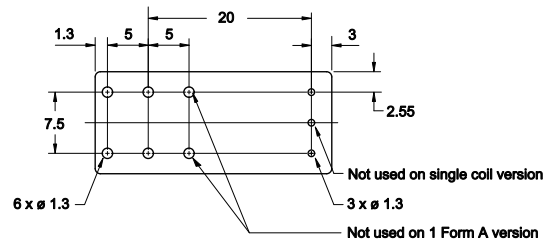
MECHANICAL DATA

Dimensions in mm.



PC BOARD LAYOUT

Viewed towards terminals.
Dimensions in mm.

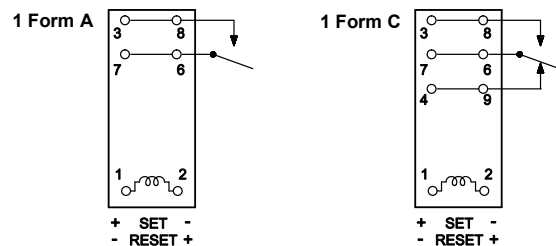


WIRING DIAGRAMS

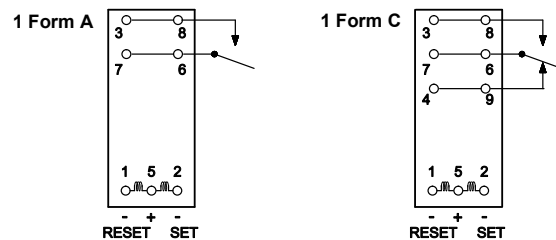
Viewed towards terminals, shown in reset condition.

Note: The diagrams show the standard coil polarity. The polarity is reversed for types with reverse polarity option 'R'.

Single coil latching type



Dual coil latching type



ZETTLER electronics GmbH - A ZETTLER GROUP Company

Junkersstr. 3, D-82178 Puchheim, Germany

phone: +49 89 800 97-0
fax: +49 89 800 97-200

office@ZETTLERelectronics.com
www.ZETTLERelectronics.com

This product specification to be used only together with the application notes which can be downloaded from www.ZETTLERelectronics.com/pdfs/relais/ApplicationNotes.pdf